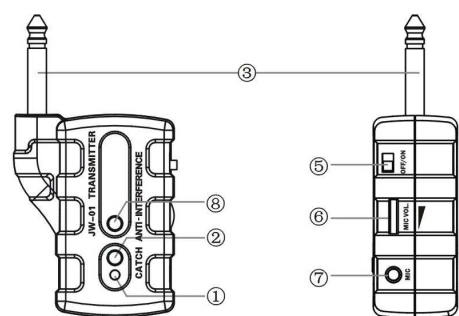


Thank you for purchasing our products, please read these instructions carefully before using your new tuner.

I. Caution:

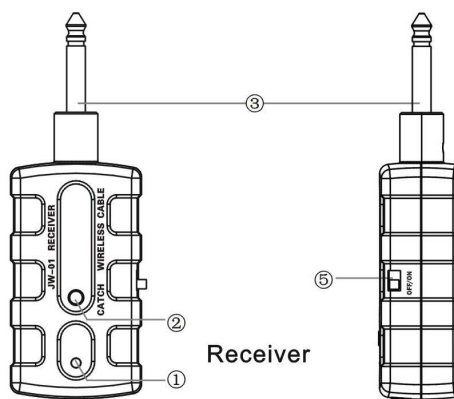
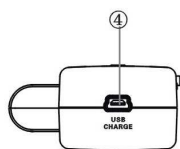
1. Do not disassemble or repair this unit by yourself.
2. Do not use or store this unit in the following circumstances: high temperature, high humidity, dirty or strong shock places.
3. Do not drop off this unit or bump this unit off hard surface.
4. Do not use cleaning liquid or alcohol to clean this unit in case of damage.
5. The machine will work normally only when the Transmitter & Receiver have been Caught with each other.
6. Please keep distance with wireless router or other wireless equipment when using the machine.
7. The transmitting distance could be influenced when using between big barriers.
8. This product can be used utmost 4 pairs in the same area, we recommend 2 pairs at one time.
9. Low Power alarming when the Power indicator light gets off or in red.
10. Please turn off the machines when not in use.
11. Out of the characteristics of lithium battery, a slightly self-discharge is normal, and please charge the battery within two months when this product is not in use for a long time, to prevent the battery turn to low voltage protection status.
12. The lithium battery capacity will degrade after repeated charge and discharge, and the duration performance will decrease accordingly.

II. Function Keys:



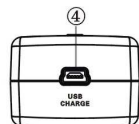
Transmitter

- ① Power indicator light
- ② Catch button
- ③ Plug for inputting signals: universal to electric guitar and all electroacoustic musical instruments.
- ④ USB interface for recharging.
- ⑤ OFF/ON switch
- ⑥ Mic Volume switch
- ⑦ MIC inputting interface
- ⑧ Anti-Interference Button



Receiver

- ① Power indicator light
- ② Catch button
- ③ Plug for outputting signals: connecting amplifiers or other sound-producing equipment
- ④ USB interface for recharging
- ⑤ OFF/ON switch



III. Usage:

1. One Transmitter to One Receiver:
 - 1) Turn on both of the Transmitter & Receiver first, then match the two machines. They're matched when the Receiver's power indicator light turns Yellow(normal) & Red(low power). If not, please long press the match button of both Transmitter & Receiver simultaneously for more than 3 seconds, which would arouse a 15-second Red twinkling from Transmitter and an intermittent "du" sound from Receiver. Once the Receiver's "du" sound lasts for 3 seconds, it means the match is successful. Then the Transmitter stops Red twinkling and the Receiver's light indicator turns Red which means a successful match. The above operation could be repeated if still not matched smoothly.
 - 2) Once they have been matched, they will keep being-matched statement even if you get them recharged, with their: memorial system. The light of Receiver will become Yellow or Red (Red means Low Power). If you want them get matched with other similar products, just need to operate in accordance with point 1).
 - 3) Within the reliable transmission distance, if you encounter such circumstances as matching difficulties, intermittent sound signal or twinkling indicator, please press "Anti-Interference" Button and change the frequency mode to leap away the interference point
2. One Transmitter to Many Receivers:

Get Transmitter matched with each Receiver individually and then turn on all the machines at the same time. (Please refer to the Usage of "One Transmitter to one Receiver")
3. MIC Inputting:

Support 3.5mm plug, this machine can use the Electret condenser microphone with 3.5mm plug as well. To adjust MIC's volume by turning "Mic Volume Switch"

IV. How to recharge the Lithium Battery:

1. The machine is in Low Power statement if the Power indicator light is off when you turn on the item, please recharge in time.
2. To save charging time, it is recommended to switch the machine to OFF statement when being recharged.
3. When Power indicator light is still in Red color in recharging period, it means power is still not enough. Power will be enough when the light becomes off.
4. Assorted adaptor or USB cable is recommended.
5. When this product is not in use for a long time or fail in charge, the battery would turn to protection status. In that case, it needs precharge for a while, and the charging time increases accordingly since its charging current is small.