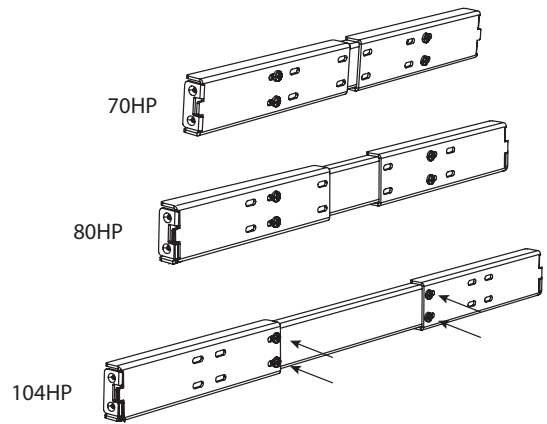
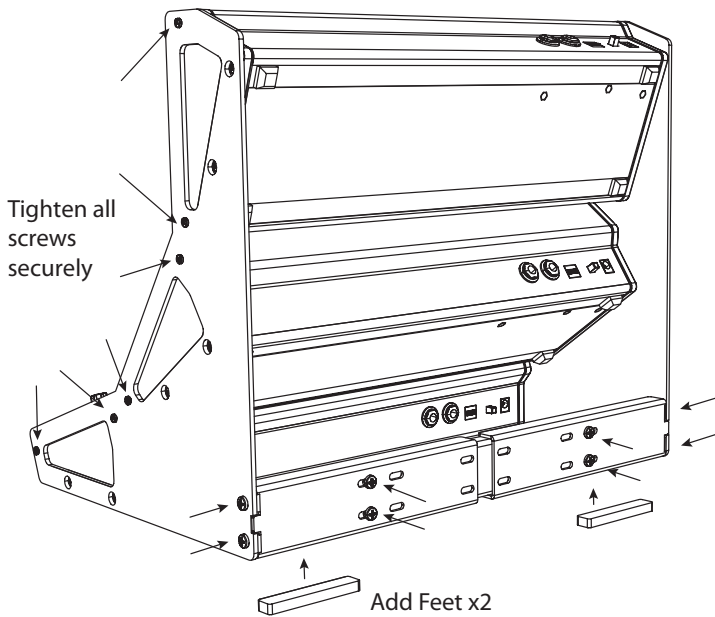
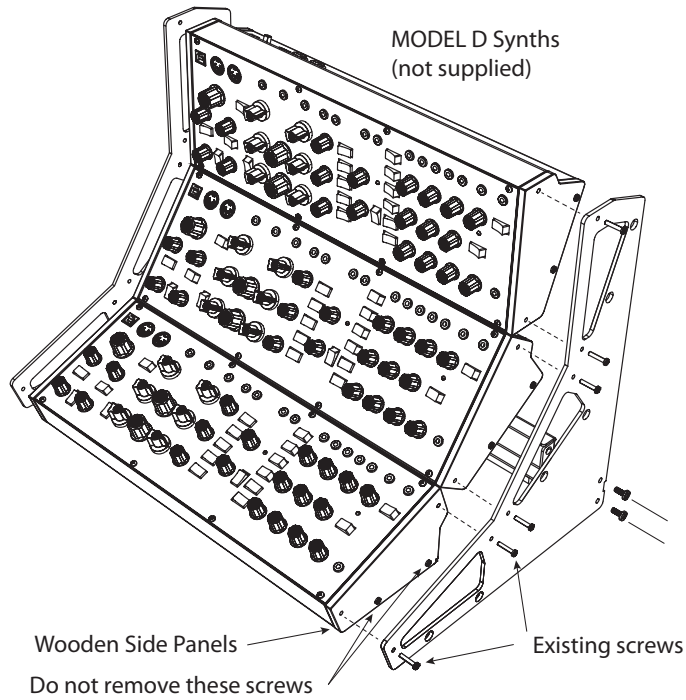


Quick Start Guide

EURORACK STAND (3-TIER)

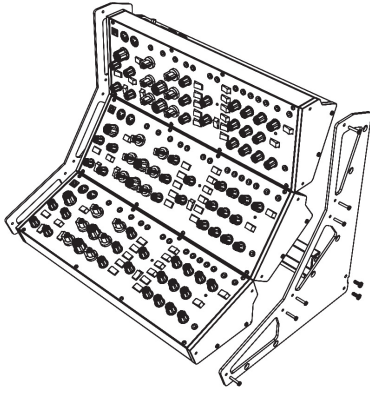
3-Tier Eurorack Stand for 70, 80 and 104 HP Chassis

Assembly

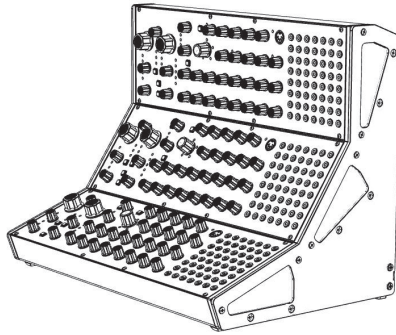


Preparation of Rear Brace
Secure with four screws supplied

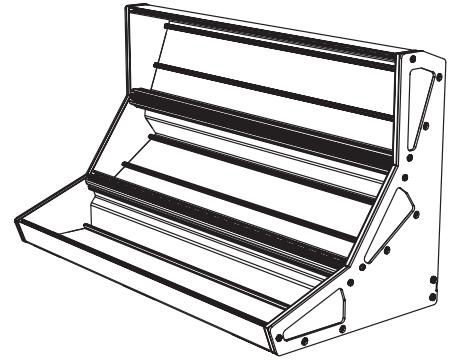
Configuration Examples



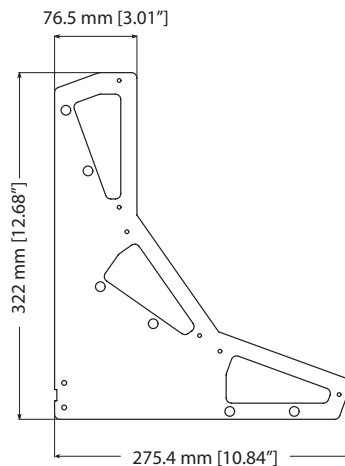
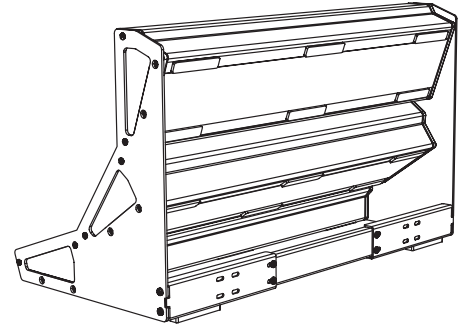
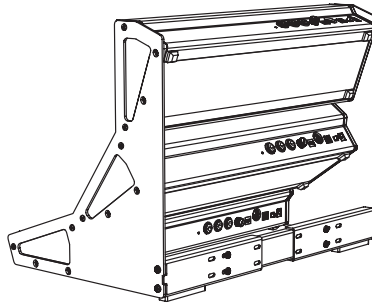
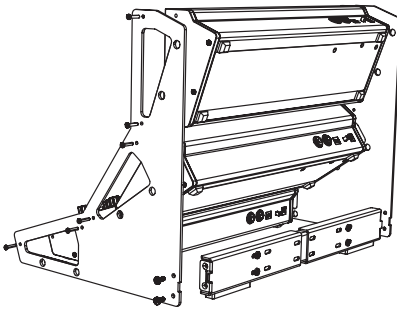
70HP Wide
Example: MODEL D



80HP Wide
Example: NEUTRON



104HP Wide
Example: EURORACK 104 Skiff



Weight of Kit = 1.16 kg [2.56 lbs]

LEGAL DISCLAIMER

Music Tribe accepts no liability for any loss which may be suffered by any person who relies either wholly or in part upon any description, photograph, or statement contained herein. Technical specifications, appearances and other information are subject to change without notice. All trademarks are the property of their respective owners. Midas, Klark Teknik, Lab Gruppen, Lake, Tannoy, Turbosound, TC Electronic, TC Helicon, Behringer, Bugera, Auratone and Coolaudio are trademarks or registered trademarks of Music Tribe Global Brands Ltd. © Music Tribe Global Brands Ltd. 2019 All rights reserved.

LIMITED WARRANTY

For the applicable warranty terms and conditions and additional information regarding Music Tribe's Limited Warranty, please see complete details online at musictribe.com/warranty.

Zhongshan Eurotec Electronics Limited

No. 10 Wanmei Road, South China Modern Chinese Medicine Park, Nanlang Town, 528451, Zhongshan City, Guangdong Province, China

Important Safety Information

CAUTION: The power switch of the equipment being mounted shall always remain readily accessible and operable.