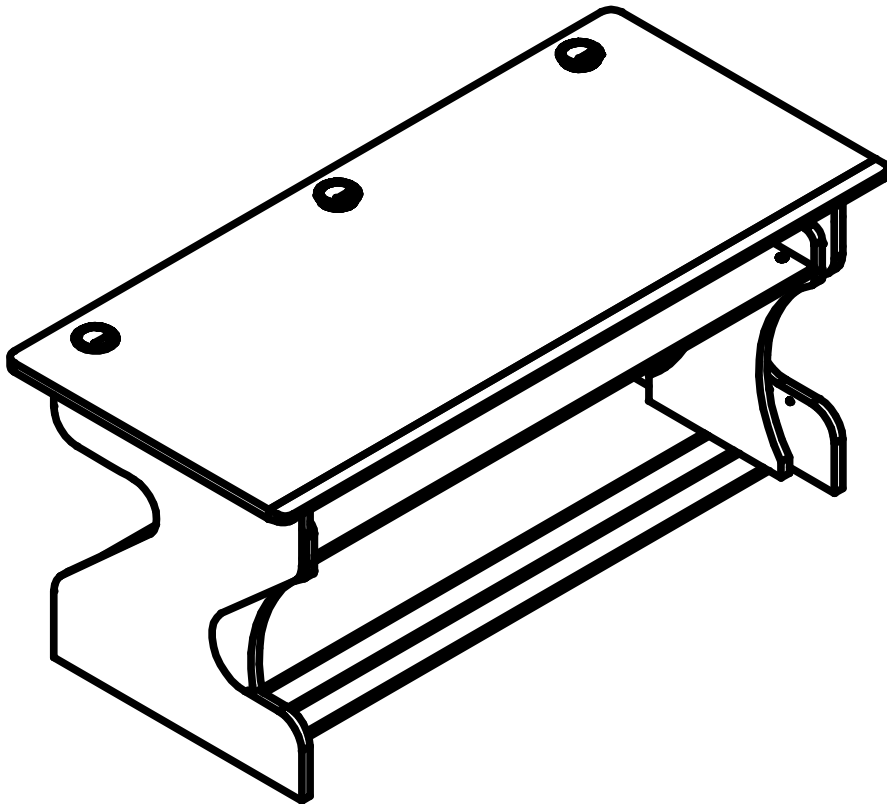


# Zaor<sup>®</sup>

**BUDGET CUSTOM DESIGN**



## **MIZA M**

### **Assembly Instructions**

### Technical Plan

Thank you for choosing a piece of Zaor studio furniture,  
which will hopefully make your life easier, more ergonomic and improve the looks of your workspace.

Before you can enjoy the comfort of your new acquisition you need to assemble it.

We have tried to give you as much detail as needed and as little as possible.

Should you run into any difficulty with this assembly you can get in touch with us via  
[sales@zaorstudiofurniture.com](mailto:sales@zaorstudiofurniture.com) to set up a Skype session or phone call.

Here is a general instruction on how to use the furniture assembly kits:

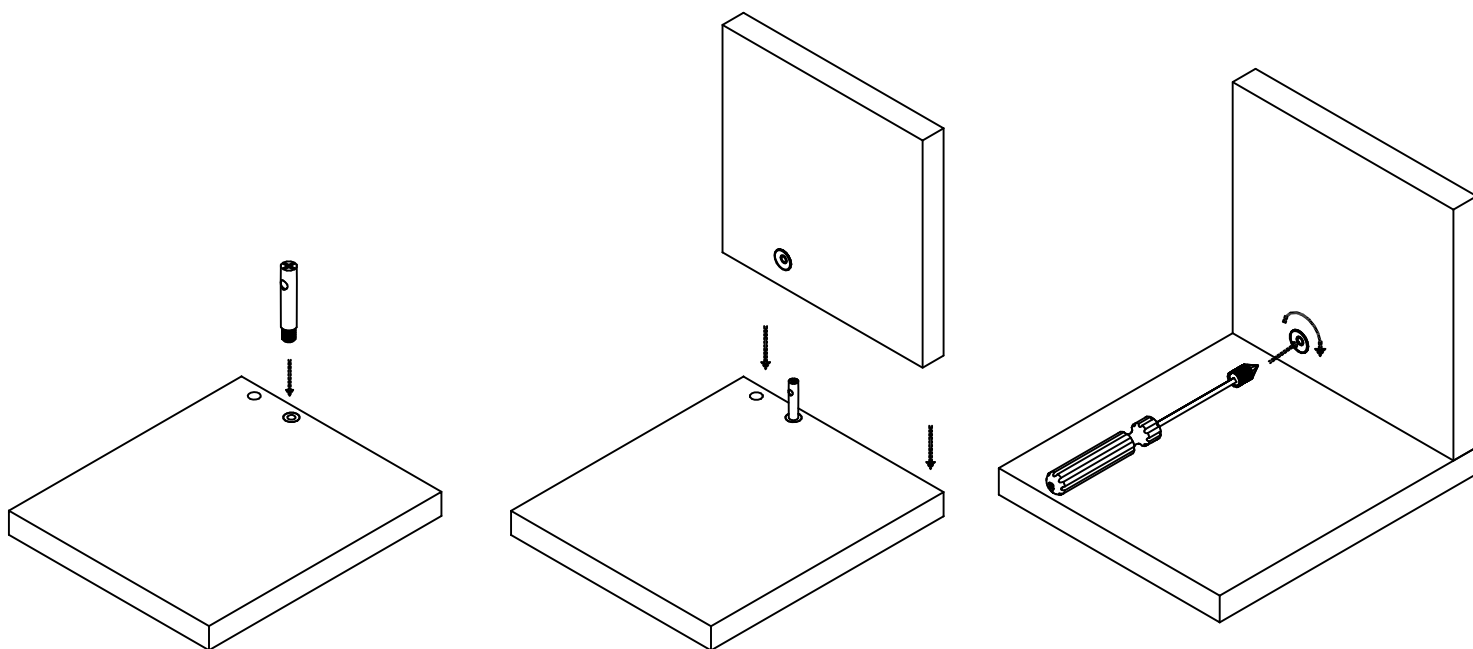
- 1) Insert and screw in the system bolt(s) into the socket(s) already present on the part(s) making sure the hole is at 90° from the edge
- 2) Assemble the connecting parts, inserting the bolts into the smaller holes in the connecting part, the bolt tip fitting into the side hole of the excenter until the hole in the bolt and the center hole of the excenter align
- 3) insert the locking screw into the excenter, and tighten with a cross screw driver all the way without using force!



System bolt with hole



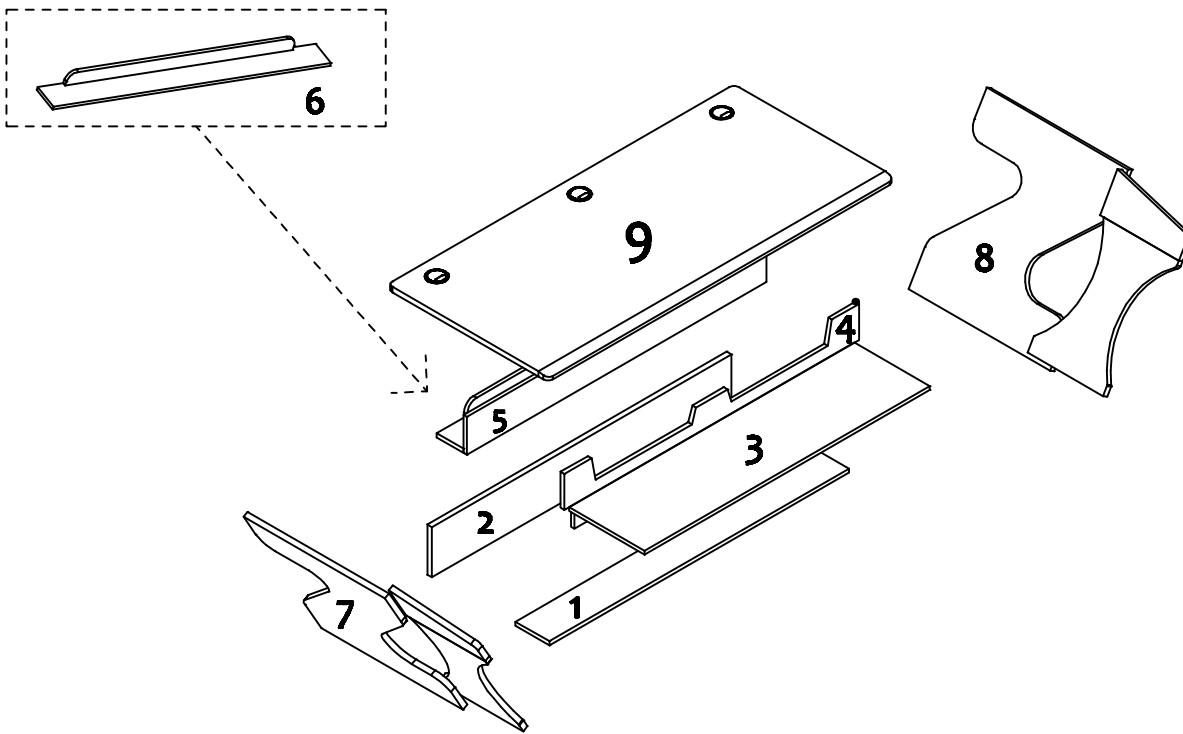
Locking screws

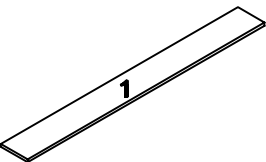
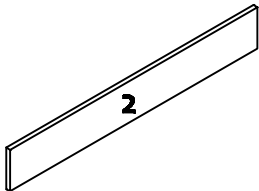
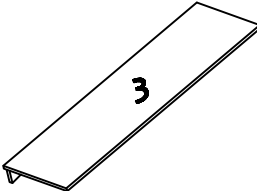
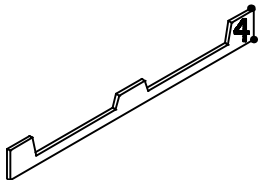
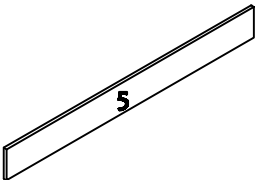
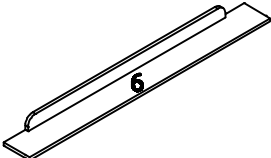
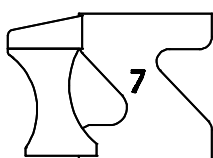
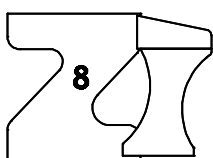
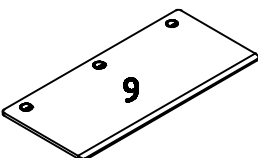
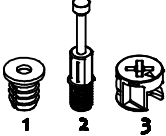




BUDGET CUSTOM DESIGN

## Assembly Manual

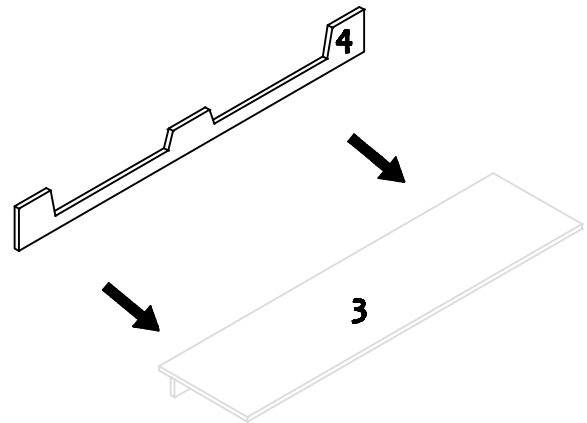
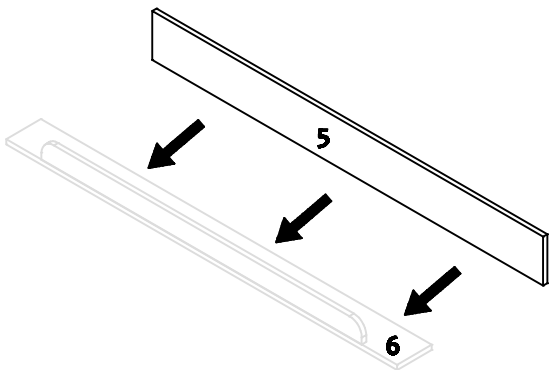


<b>Panel n° 1</b> Footrest	<b>Panel n° 2</b> Stabilising crossbar	<b>Panel n° 3</b> keyboard drawer	<b>Panel n° 4</b> back wall keyboard drawer	<b>Panel n° 5</b> cable tray
				
<b>Panel n° 6</b> cabel try	<b>Panel n° 7</b> left side part	<b>Panel n° 8</b> right side part	<b>Pannelo n° 9</b> table top	<b>Assembly kit</b>
				



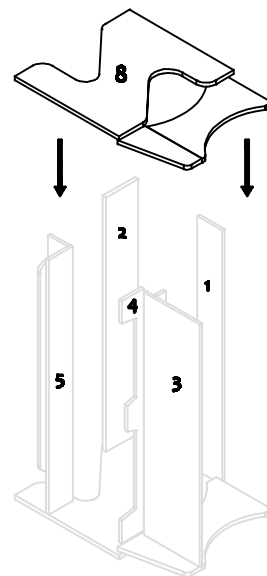
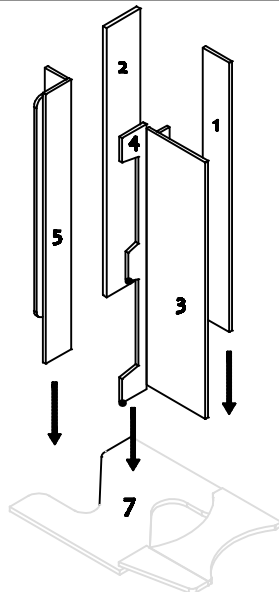
# BUDGET CUSTOM DESIGN

## Assembly Manual



**STEP 1**  
Join panels n° 5 and n° 6  
and fixate using the eccentric fittings and (pre-mounted)  
system bolts. (drawing 1).

**STEP 2**  
Join panels n° 4 and n° 3  
and fixate with furniture kits.  
(drawing 1).



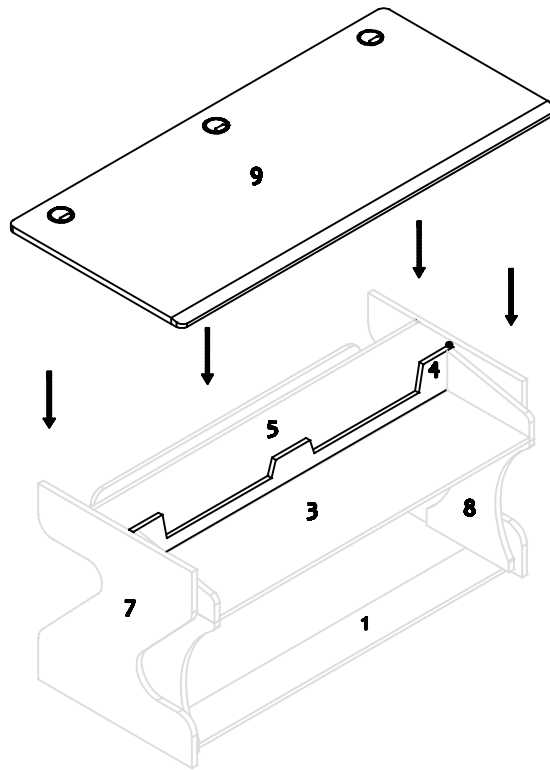
**STEP 3**  
Lay the draw out side part n° 7 on the ground (use cloth,  
carpet or cardboard) and add panels n° 1 thru 6 and fixate  
using kits (drawing 1).

**STEP 4**  
Add draw out side part n° 8 from the top and fixate using kits.



BUDGET CUSTOM DESIGN

## Assembly Manual



### STEP 5

Set the base of the desk on its legs as shown and lower the desktop panel n° 9 into the corresponding holes. Fixate with eccentric fittings to complete.

**N.B. After one week check tightness of fittings and if needed re-tighten.**

### MATERIALS USED:

- Laminated chipboard and tainted solid wood (ash or oak);

### PACKING LIST:

- N° 42 assembly kit, consisting of 1 system bolt + 1 eccentric fitting each;
- N° 9 wood panels;
- N° 4 drawer rails (pre-installed);
- N° 3 hinges (pre-installed);

### MAINTENANCE AND CLEANING:

- use a humid cloth or wood cleaning product;
- avoid using abrasive cleaners;

**WE RECOMMEND ASSEMBLING WITH 2 PEOPLE.**